

A gift of cards – the box

What you will need to create this project:

2 x A4 card blanks - medium weight

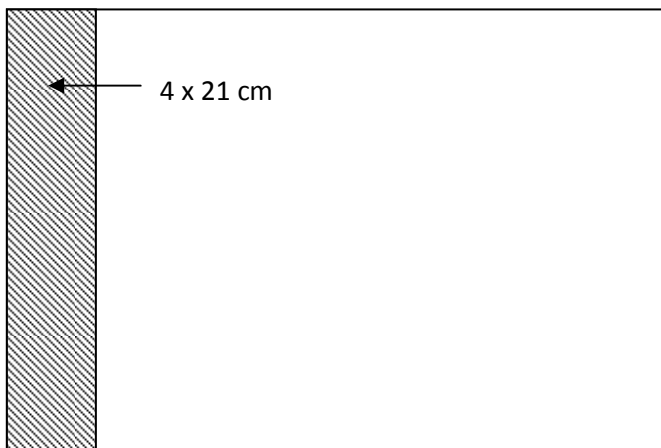
Pencil, ruler, scissors

PVA/tacky glue

Paper clips

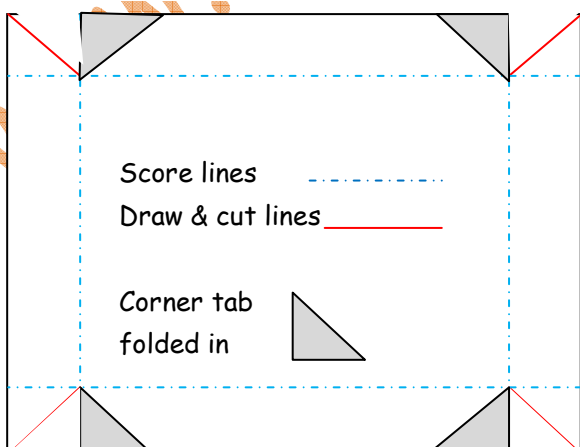
How to assemble this project:

With the card blank in horizontal position, measure & mark a 4 cm border down one edge. Trim off and repeat with the second card blank. See diagram below.



On the first sheet of card, *measure a border of 4.4 cm all around but do not pencil the line in. Draw in the line by using the side of the blade of the closed pair of scissors against the ruler - this is known as scoring. Scoring breaks down the fibres of the card making it easier to fold, but as a rule you would always fold into the score line, rather than folding back on it as the card may crack.

Before folding in on the scored lines use the pencil and ruler and draw a diagonal line from the corner of the card to where the score lines cross. See diagram below.



Fold in on all score lines on both sheets of card, and then trim the cut lines - but only as far as the score line junction. Fold in the tabs as shown by the highlighted areas in diagram to the left. Apply PVA/tacky glue to the visible side of the corner tabs and fold one from each corner pair into the box and the other outside of it. Secure with paper clips until glue sets.* Repeat from * to * with the second card using a 4.2 border measurement.